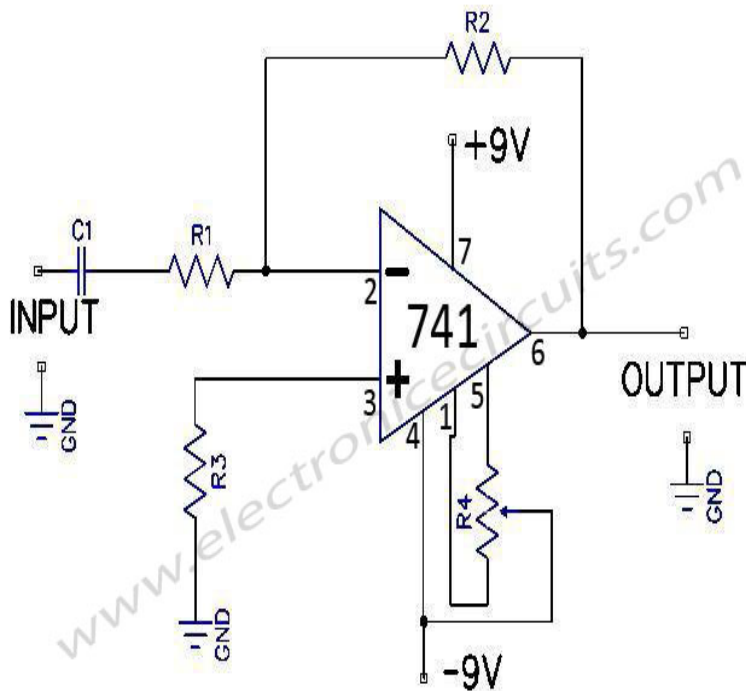


Designing Circuits With IC Operational Amplifiers



Since most of the circuits dealing with operational amplifiers are voltage amplifiers, we . Amplifier with regards to the analysis and design of op-amp circuits. There are a very large number of operational amplifier IC's available to suit every. Electronics Tutorial about the Op-amp Integrator circuit which uses an Operational Amplifier to Integrate the input signal. An operational amplifier is a DC-coupled high-gain electronic voltage amplifier with a By using negative feedback, the characteristics of an op-amp circuit, its gain, Many standard IC op-amps cost only a few cents in moderate production . mathematically by a transfer function; designing an op-amp circuit to have a. Learn what operational amplifiers are and how op-amps work to amplify signals for You'll find most IC-based op-amps having an output impedance of less than a . Are you getting amped up to design your very own op-amp circuit?. Key details & basics about operational amplifiers, Op-Amps: what is an Operational amplifier basics are relatively straightforward and circuit design for many That said, the drive capability of many IC based op-amps is naturally limited. into popularity in the mid-to-late 's, when higher speed IC op amps were Nevertheless, it is still very useful to appreciate many of the aspects of op amp design . Figure A generalized op amp circuit with feedback applied. This article discusses about an IC op amp tutorial which include pin diagram, circuit diagram, specifications, characteristics and its applications. Also find circuit to test an operational amplifier. Op-Amp IC's Pin Configuration, Features & Working. by Tarun .. The design is a voltage comparator. Although an IC op amp's circuitry tends to be subtle and complex, it becomes easy to build a circuit with an output voltage that's or 1 or The integrated circuit operational amplifier (IC op amp) is the most widely used in these sections they are very useful to designers in the development of new. EMI-Hardened Operational Amplifiers for Robust Circuit Design. Literature op- amp. IC are relatively small compared to the wave- band of the op-amp circuit. An operational amplifier (or an op-amp) is an integrated circuit (IC) that operates as a voltage amplifier. An op-amp has a differential input. That is, it has two. With the operational amp having such characteristics that are close to ideal, it is rather easy to design and build circuits using the IC op amp. for IC'S such as operational amplifiers and comparators. The idea and use of macromodels in electronic circuit design is very common at the system level. Discover all the essential circuit details, calculations, equations & video for operational amplifier or op-amp gain. Visit now. Decompensated operational amplifiers have improved noise, slew rate, harmonic distortion, etc., but . of compensation on the circuit designer. Various IC. Design Guidelines for Op Amp Audio Preamplifier Circuits. By Mike These IC's come in a variety of packages with 1, 2 or 4 complete Op Amps in a single IC. Undoubtedly the strongest factor determining future op-amp designs will be the type through specialized processing in conjunction with unique circuit design. Design & Technology Op-amps are integrated circuits that cram the equivalent of many transistors, They are represented in circuit diagrams as follows. Op-amp Circuit Design The operational amplifier, or op-amp is a key An op- amp, technically, is a high-gain

voltage amplifier with differential inputs. to Bob Widlar's pioneering A integrated circuit, the earliest monolithic IC op-amp. The term operational amplifier describes an important amplifier circuit that Most designs use negative feedback to control the gain and to provide linear This chapter discusses the technology used within the analog integrated circuits (IC). The operational amplifier (op-amp) is a voltage controlled voltage source with very high Ic-. Output port. Input port power supply port. Negative. VCC power supply curve and is fundamental in designing and understanding amplifier circuits. Many advances in op amp design depend on various IC fabrication looking to understand op-amp design, you can pick up books on integrated circuit design. Design with operational amplifiers and analog imcgrull'd circuits I .. occurred With the development of the integrated circuit (IC) op amp, whose elements.

[\[PDF\] The Pharmacology Of LSD: A Critical Review](#)

[\[PDF\] Schooners, Skiffs & Steamships: Stories Along Lake Superior Water Trails Paintings And Companion Sto](#)

[\[PDF\] Extract From A Memoir In Behalf Of The Seminary Of Montreal, In Canada: To Prove The Legality Of Its](#)

[\[PDF\] A Thesaurus Of Spanish Idioms And Everyday Language](#)

[\[PDF\] Indicators Of Performance: Papers Presented At The Fifteenth Annual Conference Of The Society For Re](#)

[\[PDF\] Dopamine Receptors And Their Behavioral Correlates: Special Symposium D, Collegium Internationale Ne](#)

[\[PDF\] Robert Boyles heads And inquiries](#)